

PD8

D811044 Vers. 01



**DIGITAL
PUSH-BUTTON
PANEL**



This product complies with the recognized technical regulations and the main safety regulations. We confirm that it conforms with the following European Directives: 89/336/CEE (amended through RL 91/263/CEE, 92/31/CEE and 93/68/CEE).

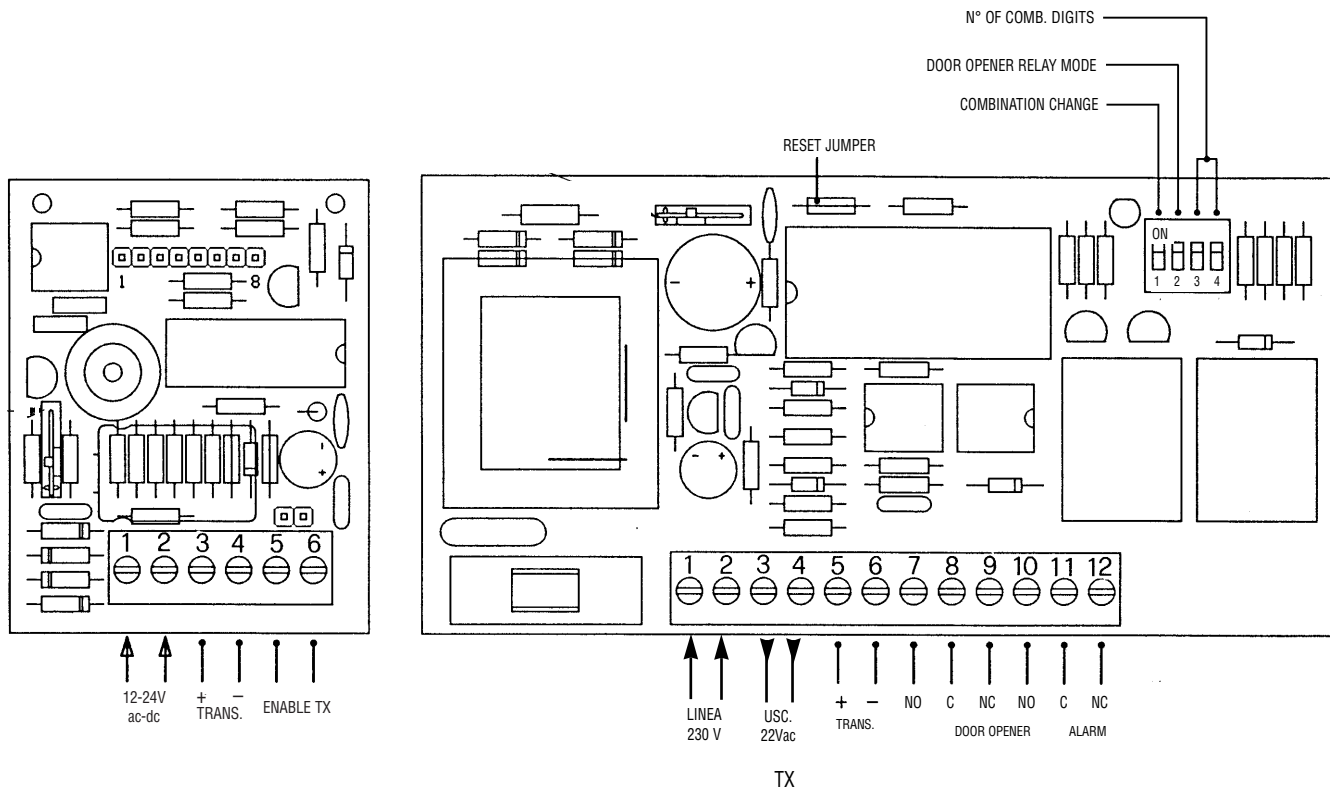
MAIN FEATURES OF RD24 - RD220 - PD8

- 1) Power supply RD24: 12-24 V a.c. - d.c. for RD220 - 220 V a.c.; for PD8 12-24 V a.c. - d.c.
 - 2) Connected by means of two wires.
 - 3) Memorization of the combination on EEPROM (therefore a buffer battery is not necessary in case of blackout).
 - 4) Number of combination digits selectable between 3 and 6 by means of dip switches 3 and 4 in the following manner:
- | N°. OF DIGITS | DIP 3 | DIP 4 | N°. OF COMBINATIONS |
|---------------|-------|-------|---------------------|
| 3 | on | on | 777 |
| 4 | on | off | 7777 |
| 5 | off | on | 77777 |
| 6 | off | off | 777777 |
- 5) Possibility of operating the relay at reception of the correct combination in two ways:
 - a) Dip 2 OFF. Flash mode. Each time the right combination is received, the relay is excited for 4 seconds.
 - b) Dip 2 ON. Toggle mode. Each time the right combination is received, the relay switches from ON to OFF and vice versa.
 - 6) Alarm (3 consecutive errors) operated by an energized relay for 30 seconds.
 - 7) Signalling of the various operations by means of a led or a small loudspeaker.
 - 8) Possibility of cutting out the transmitter by means of an outlet with a contact which is normally closed and which can be cut out by means of a bridge on the transmitter.
 - 9) Automatic resetting of the transmitter every 8 seconds and of the receiver every 30 seconds.
 - 10) Possibility of parallel connection of several keyboards and reception units. (System known only by BFT technicians).
 - 11) Possibility of parallel several keyboards and reception units.
 - 12) "Clear" (C) key for cancelling digits already keyed in.

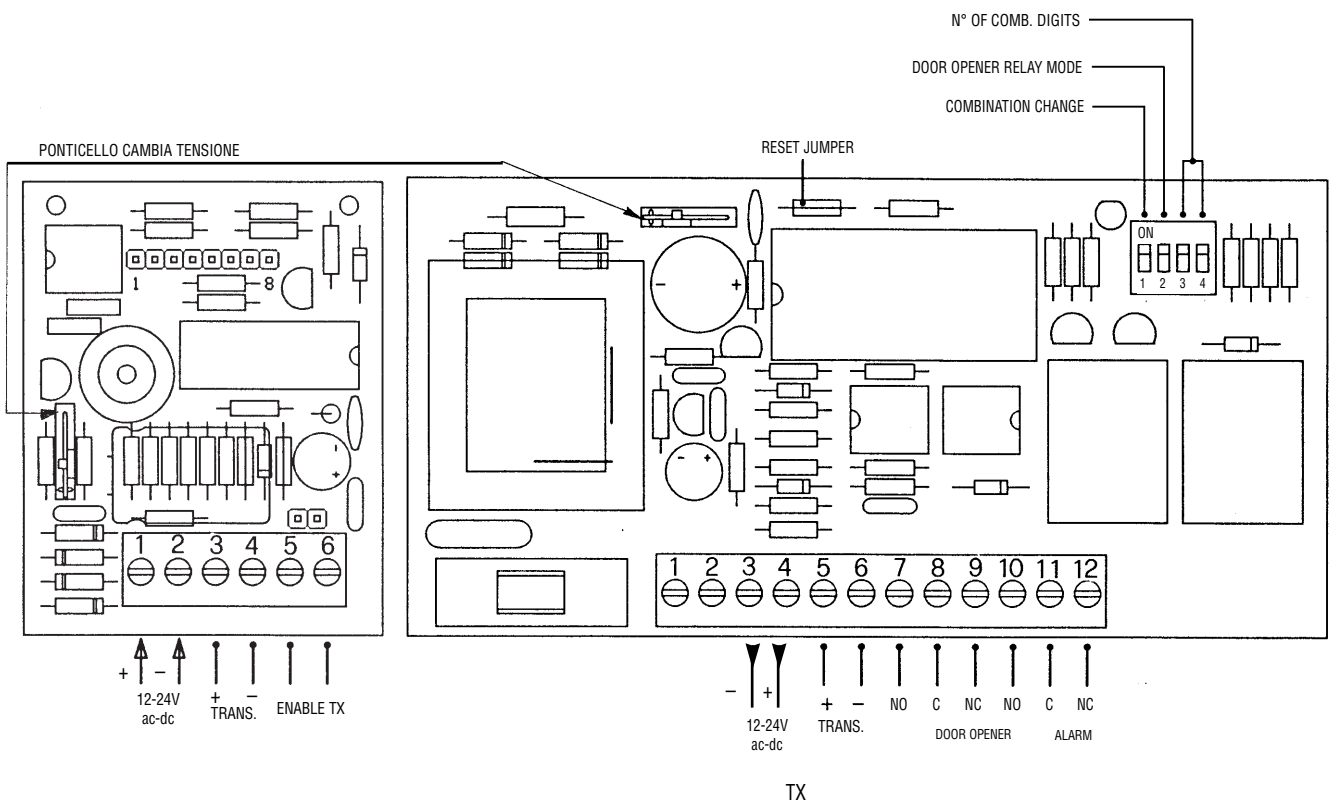
OPERATION RD24 - RD220

- 1) By entering the correct combination, the relay will operate in the mode set with dip switch 2. Also, the LED will flash and the small loudspeaker will emit a signal for 3 times.
- 2) After the third error, the alarm relay will be energized for 30 seconds. Also, the LED will flash and the small loudspeaker of the transmitter will emit a signal for 10 times. During these 30 seconds, each time the incorrect combination is entered the alarm will be reset and will start again after 30 seconds, whereas by entering the correct combination not only will the alarm relay be de-energized, but the same procedure as for the correct combination will be carried out (point 1).
- 3) To change the combination, turn dip switch 1 to "ON" and enter the old combination; the receiver LED will light up and flash and the small loudspeaker will emit a signal for 4 times; now enter the new combination, wait for the receiver to switch off and position dip switch 1 on "OFF".
- 4) To modify the number of combination digits, change dip switch 3 and 4 and de-energize the receivers and the keyboards.
N.B. All the receivers must have the same number of combination digits. At this point the new combination will be as follows:
 - a) If the number of digits is reduced, they will be eliminated starting with the first one.
Eg. old combination 73748 (5 digits); new combination 3748 (4 digits).
 - b) If the number of digits is increased, some 1's (ones) will be added at the beginning.
Eg. old combination 358 (3 digits); new combination 11358 (5 digits).
 Now, it is possible to change the combination with the new number of digits.
- 5) All the receivers are supplied with a 4-digit code made up of all 1's (ones).
- 6) To energize the RD24 units, at 12V close the mains voltage changeover jumpers (see page 1).

RD220 ELECTRONIC KEY

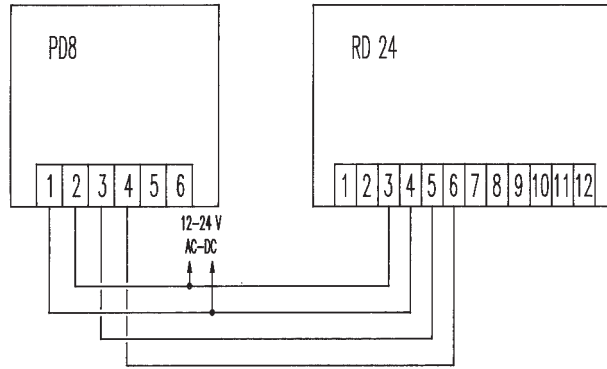


RD24 ELECTRONIC KEY

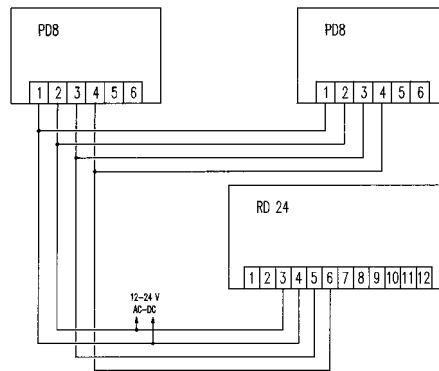


D811044_01

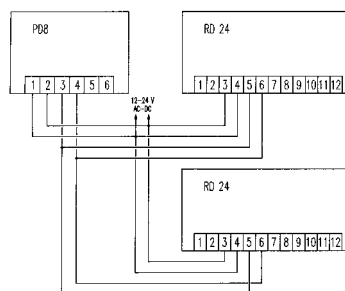
CONNECTION DIAGRAM BETWEEN 1PD8 UNIT AND 1RD24 UNIT



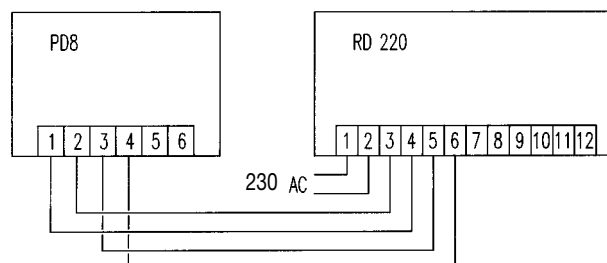
CONNECTION DIAGRAM FOR 2 PD8 UNITS AND 1 RD 24 UNIT (Eg. gate or alarm controlled by two different entrances)



CONNECTION DIAGRAM FOR 1 PD8 UNIT AND 2 RD 24 UNITS (Eg. push-button panel which controls 2 different devices)

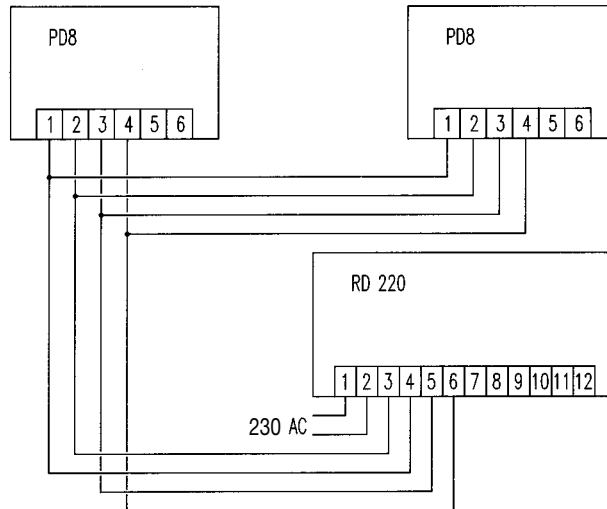


CONNECTION DIAGRAM BETWEEN 1 PD8 UNIT AND 1 RD220 UNIT

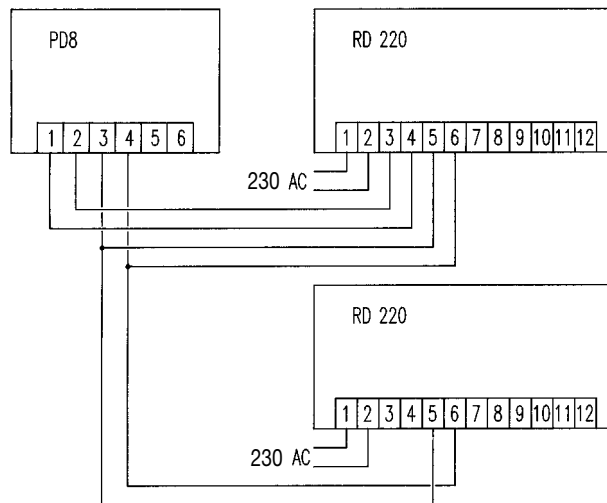


PD8

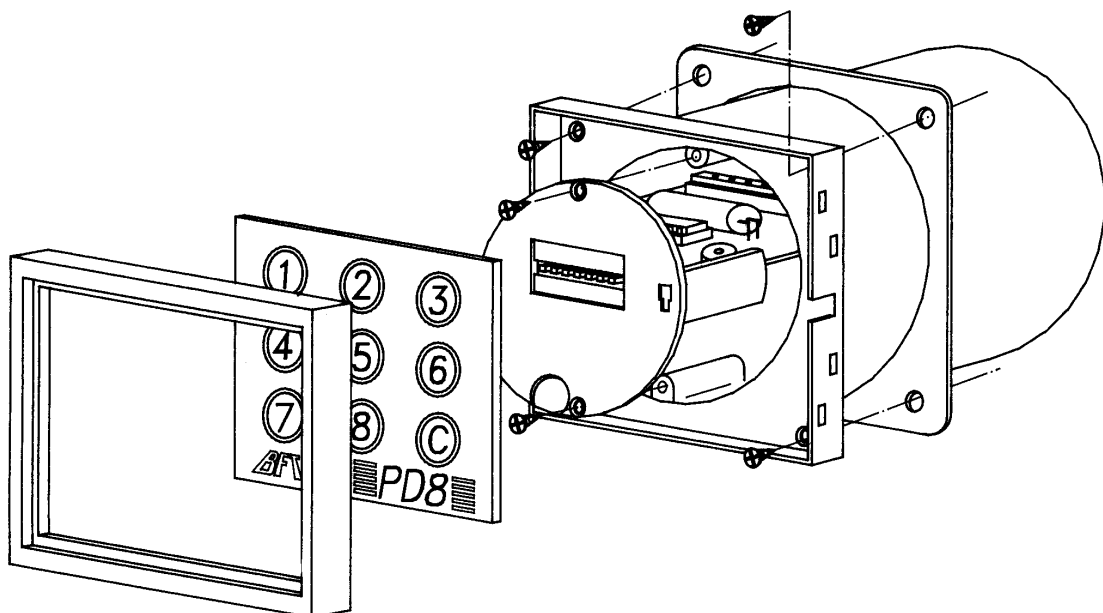
CONNECTION DIAGRAM BETWEEN 2 PD8 UNITS AND 1 RD 220 UNIT (Eg. gate or alarm controlled by two different entrances). Every receiver can control up to 5 transmitters (with parallel connection).



CONNECTION DIAGRAM FOR 1 PD8 UNIT AND 2 RD 220 UNITS (Eg. push-button panel which controls 2 different devices)



MOUNTING PROCEDURE



D811044_01